

Operating instructions



POSEIDON PE/DE



106169229 c

شريف صنعت پارسا



Nilfisk
ALTO
works for you

Ⓓ	Instruktionsbog	3 - 15
Ⓔ	User manual	16 - 28
Ⓓ	Betriebsanleitung	29 - 41
Ⓕ	Manuel d'instructions	42 - 54
Ⓘ	Manuale di istruzioni	55 - 68
Ⓔ	Manual de instrucciones	69 - 82
Ⓔ	Υχειριδιο οδηγιων	83 - 96
Ⓕ	Manual de Instruções	97 - 110
Ⓔ	Руководство	111 - 124
Ⓕ	Instrukcja obsługi	125 - 138
Ⓒ	Návod k obsluze	139 - 151
Ⓔ	Üzemeltetési útmutató	152 - 164
Ⓒ	Návod na používanie	165 - 177
Ⓔ	Gebruikershandleiding	178 - 194

DA

Contents

EN

DE

FR

IT

ES

EL

PT

RU

PL

CS

HU

SK

NL

Symbols	17
1 Important safety notes	17
2 Description	2.1 Intended use.....	19
	2.2 Operating elements	19
3 Before starting the pressure washer	3.1 Setting up the pressure washer.....	20
4 Operation and use	4.1 Connections	20
	4.2 Start the pressure washer	21
	4.3 Using detergents	22
5 After using the pressure washer	5.1 Switching off the pressure washer	23
	5.2 Disconnecting supply lines	23
	5.3 Storing the cleaner (frost-free)	23
6 Maintenance	6.1 Maintenance plan	24
	6.2 Maintenance work	24
7 Troubleshooting	26
8 Further information	8.1 Recycling the pressure washer	27
	8.2 Guarantee	27
	8.3 Technical data	28
	8.4 Declaration of Conformity.....	28

Symbols



Before starting up your high-pressure washer for the first time, this instruction manual must be read through carefully. Save the instructions for later use.



Safety instructions marked with this symbol must be observed to prevent danger to persons.



This symbol is used to mark safety instructions that must be observed to prevent damage to the machine and its performance.



This symbol indicates tips and instructions to simplify work and to ensure a safe operation.

DA

EN

DE

FR

IT

ES

EL

PT

RU

PL

CS

HU

SK

NL

1 Important safety notes



Before using the high-pressure washer, be sure to also read the enclosed operating instructions and keep them within reach at all times.

The high-pressure washer may only be used by persons instructed in its use and who have been expressly authorised to do so.

General

Use of the high-pressure washer is subject to the applicable local regulations.

In addition to the operating instructions and the binding accident prevention regulations in the country of use, the generally recognised rules for safe working must also be observed.

Any method of use endangering the safety of persons or equipment is forbidden.

Before use

Before use, check that the high-pressure cleaner is in a safe and proper condition.

Operate the pressure washer only in an upright position!

Important notes:

Do not connect the pressure washer directly to the public drinking water mains (observe DIN 1988 and EN 1717).

A connection is permitted, however:

- briefly to a pipe interrupter with moving section
- with a free outlet

Water may also be drawn from an open container or from a well or surface water not intended for the drinking water supply. Please use suction set for this. Ensure that neither dirty water nor liquids containing solvents are sucked in.

Please observe the regulations and provisions applicable in your country. Before putting the high-pressure washer into service, carry out a visual check of all the major components.

High-pressure jets can be dangerous if misused. The jet must not be directed at persons, animals, live electrical equipment or the pressure washer itself.

During operation of the washer, recoil forces are produced at the spray lance and, when the lance is held at an angle, a torque is also created. The lance must therefore be held firmly in both hands.

Risk of injury!

Do not direct the jet towards yourself or towards other persons in order to clean clothes or footwear.

Do not use the washer when other people without protective

DA

clothing are in the working area. Check that cleaning will not result in dangerous substances (e.g. asbestos, oil) being washed off the object to be cleaned and harming the environment.

EN

Do not clean delicate parts made of rubber, fabric, etc. with the round jet. Hold the nozzle at a distance of at least 15 cm when cleaning with the high-pressure flat jet.

DE

FR

Although extremely easy to operate, children should not be allowed to use the pressure washer.

IT

Do not use the high-pressure hose for lifting loads.

ES

Do not continue to use the washer if the quick coupling or high-pressure hose is damaged.

EL

Never use the machine in areas where there is danger of fire or explosion. When using the pressure washer, stand at least 1 m from buildings, etc.

PT

Ensure an adequate air circulation. Do not cover the washer or operate it in inadequately ventilated rooms! The exhaust fumes are dangerous!

RU

PL

CS

HU

SK

NL

Store the pressure washer where it will not be exposed to frost!

Never operate the pressure washer without water. Even brief shortages of water result in severe damage to the pump seals.

Maintenance and repair

CAUTION!
Before cleaning and servicing the high pressure washer, always remove the ignition plug cable first.

Carry out only the maintenance operations described in the operating instructions. Use only original Nilfisk-ALTO spare parts. Do not make any technical modifications to the high pressure washer.

CAUTION!
High pressure hoses, fittings and couplings are important for the safety of the washer. Use only high pressure parts approved by the manufacturer!

CAUTION!
Failure to observe these instructions can endanger your safety.

Please contact the Nilfisk-ALTO service department or an authorised specialist work-shop for all other maintenance or repair work!

Testing

The machine satisfies IEC/EN 60335-2-79 standards.

The high pressure washer should be examined as needed or at least once a year by a technician to make sure that it is fail-safe.

Our service technicians are at your disposal for assistance and advice.

Safety device

The high pressure pump is equipped with a safety valve that redirects the by-pass pressure back to the suction side of the pump.

The safety device is set and sealed at the factory and must not be adjusted.

2 Description

DA

EN

DE

FR

IT

ES

EL

PT

RU

PL

CS

HU

SK

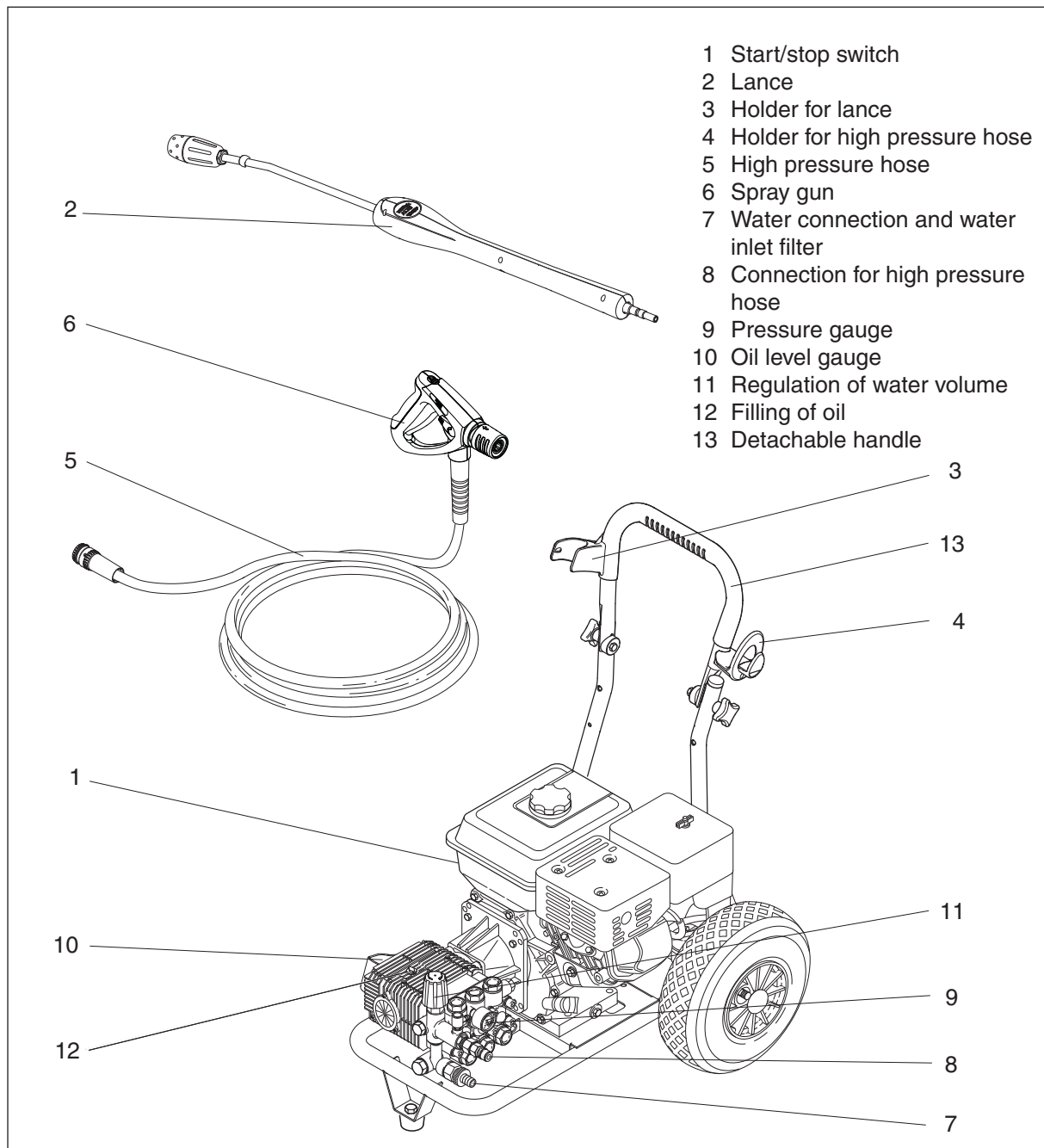
NL

2.1 Intended use

This high pressure washer has been designed for professional use in

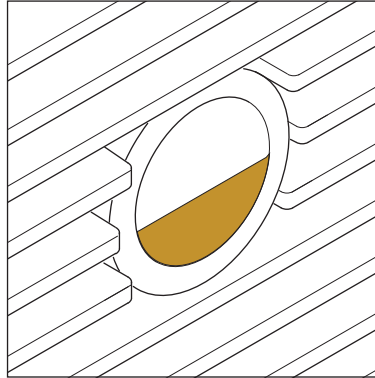
- agriculture
- transport industry
- construction industry etc.

2.2 Operating elements



3 Before starting the pressure washer

3.1 Setting up the pressure washer

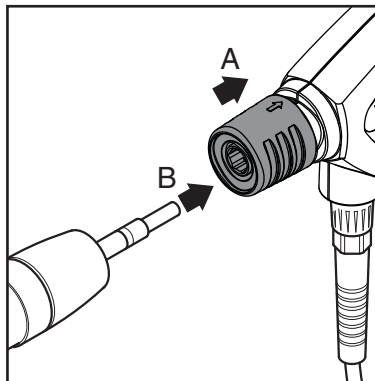


1. Before using the pressure washer for the first time, check it carefully to detect any faults or damage.
2. In the event of any damage contact your Nilfisk-ALTO dealer immediately.
3. Check whether the oil level is in the middle of the oil inspection glass. This also applies to machines with gear.

4 Operation and use

4.1 Connections

4.1.1 Connecting the lance to the spray gun



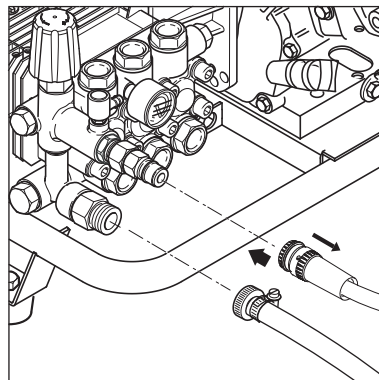
1. Pull the blue quick-release grip (A) of the spray handle backwards.
2. Insert the nipple of the spray lance (B) into the quick-release connection and release it.
3. Pull forward the spray lance or any other accessory to ensure correct mounting before starting the machine.

NOTE!

Always remove any dirt from the nipple before connecting the lance to the spray gun.



4.1.2 Connecting the high pressure hose and the water hose



1. Connect the high pressure hose to the high pressure inlet by means of the quick coupling. Use max. 50 m extension hose.
2. Before connecting the water hose to the washer, rinse the water hose briefly to prevent sand and other dirt from entering into the washer.
3. Open the tap.

(continued -->)

**NOTE!**

See chapter 8.3 for required quantity of water and water pressure.

In the case of poor water quality (sand, etc.), we recommend that a fine water filter is fitted in the water inlet.

4.1.3 Fuelling**WARNING!**

Always shut off the engine and let it cool for at least two minutes before fuelling. Avoid spilling fuel.

If you do spill fuel when fuelling, do not start the engine before the spilled fuel has evaporated. If the washer is on a trailer, any fuel spills must be wiped up before the machine is started.

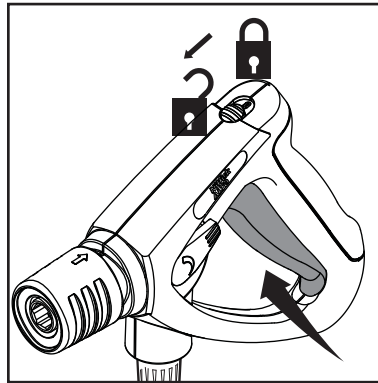
Never expose the machine to an open flame. Smoking is prohibited during fuelling. Also read the operating manual for the fuel engine.

Note: Never operate the machine in a closed room; the exhaust fumes are dangerous.

Follow the safety instructions in chapter 1!

4.2 Start the washer**4.2.1 Switching on the washer when it is connected to a water supply**

1. Start the engine. (See the operating manual for the fuel engine.)



2. Unlock the spray gun and activate it.
3. Lock the safety catch even during short pauses.

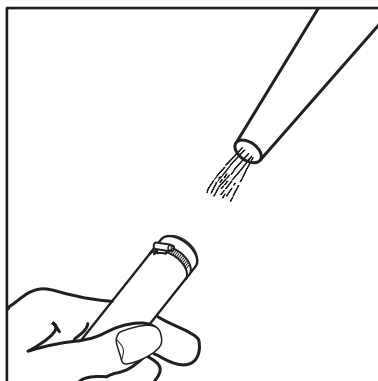
**NOTE!**

Activate the spray gun several times at short intervals to vent the system.

If it requires too much power to start the engine, it can be facilitated by removing the spray lance and activate the spray gun during startup.

4.2.2 Switching on the washer when it is connected to open tanks (suction mode)

1. Before connecting the suction hose to the washer, fill the hose with water.



2. Start the washer.
3. Unlock the spray gun and activate it.

4. When using this machine in suction mode, first ensure that the system has been bled of air by letting the machine run without spray lance mounted until all air has escaped.



During work breaks of more than three minutes, switch off the washer.

NOTE!

For automatic suction from a tank, watercourse or similar supply, the inlet hose must be filled with water before you start. The suction height

(continued -->)

DA

EN

DE

FR

IT

ES

EL

PT

RU

PL

CS

HU

SK

NL

depends on the water temperature. Max. suction height (see section 8.3 Technical Data) is reached with cold water (up to 8°C). With 70°C/60°C warm water, the machine must be under or at the water level.

If the water being suctioned contains particles, a suction filter must be mounted on the end of the hose.

In case of risk of running sands, a sand filter must be attached.

4.2.3 Start POSEIDON PE

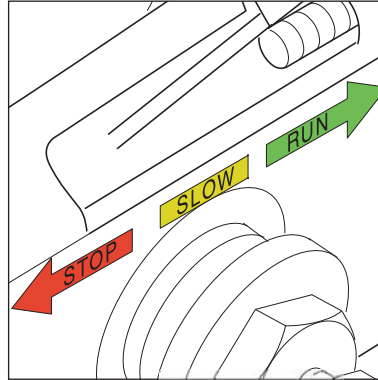
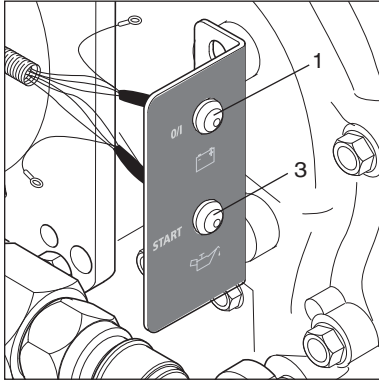
1. Switch on the ignition by pushing the ON/OFF button of the machine. The charging

+ oil light indicators will turn on.

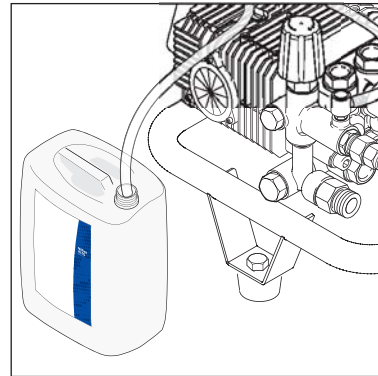
2. Move the throttle lever to SLOW or RUN position.

3. Push the start button until the machine starts. Now the charging + oil light indicators will turn off. If not, stop the machine immediately and contact Nilfisk-ALTO service department.

4. The machine can be started by means of the starter rope if the battery has gone flat. See manual from Yanmar.



4.3 Using detergents



Detergent can be added by means of the detergent injector.

1. Dilute detergent according to the manufacturer's instructions.
2. Set the pressure to the lowest setting on the lance.

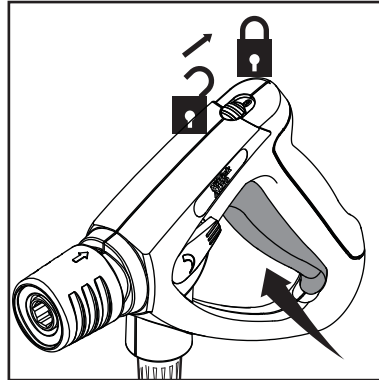
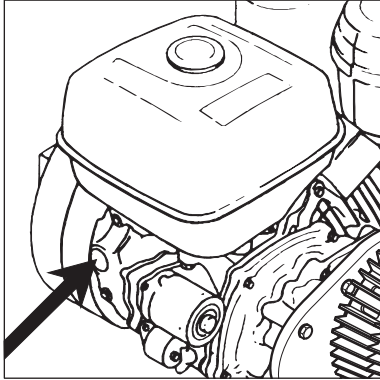


CAUTION!
Never allow detergent to dry on the surface to be cleaned as this may cause damage.



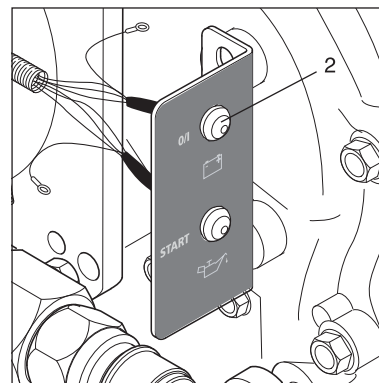
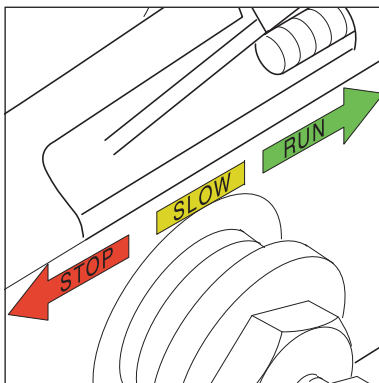
5 After using the washer

5.1 Stop the pressure washer



1. Stop the engine.
2. Close the tap.
3. Operate the spray gun until the washer is depressurized.
4. Lock the safety catch.

Switching off POSEIDON DE



1. Stop the washer by moving the throttle lever to STOP position.
2. Switch off the ignition by pushing the ON/OFF button. The light indicators will now turn off.

5.2 Disconnecting supply lines

1. Shut the fuel cock.
2. Remove the water hose from the washer.

5.3 Storing the washer (frost-protected)



IMPORTANT!

If the high-pressure washer is stored in a room with temperatures around or below 0°C, anti-freeze should be drawn into the pump beforehand:

1. Remove the water inlet hose from the washer.
2. Remove the lance.
3. Start the washer and stop it again after max. one minute.

4. Connect the suction hose to the water inlet of the washer and place it in a tank containing anti-freeze.
5. Start the washer.
6. Hold the spray gun over the tank containing anti-freeze and activate it to start suction of anti-freeze.
7. During suction operate the spray gun two or three times.
8. Lift the suction hose from the tank containing anti-freeze and activate the spray gun to pump out the remaining anti-freeze.
9. Stop the washer.

DA

6 Maintenance

EN

6.1 Maintenance plan

	weekly	every six months or 500 operating hours	as required
6.2.1 Clean water filter	●		
6.2.2 Clean high pressure nozzle			●
6.2.3 Check oil level	●		
6.2.4 Change oil - Note: First time after 50 hours		●	

DE

FR

IT

ES

Maintenance of motor according to separate operating instructions from the engine supplier

EL

6.2 Maintenance work

6.2.1 Clean water filter

A water filter is fitted on the water inlet to prevent large particles of dirt from entering into the pump.

1. Unscrew the union nut.
2. Remove the filter and rinse it. Replace damaged filter.
3. Tighten the union nut gently, so as to avoid damaging the gasket.

PT

RU

6.2.2 Clean high pressure nozzle



A blocked nozzle causes excessive pump pressure. It must therefore be cleaned immediately.

1. Stop the washer.
2. Remove the lance.
3. Clean the nozzle with a needle.
4. Rinse the lance with water from the nozzle side.

WARNING!

Use the cleaning needle only when the spray lance has been removed.



NOTE!

The fuel engine stops automatically if the oil level is low. You can start the petrol engine again once you have added oil (does not apply to POSEIDON 2-31 PE).

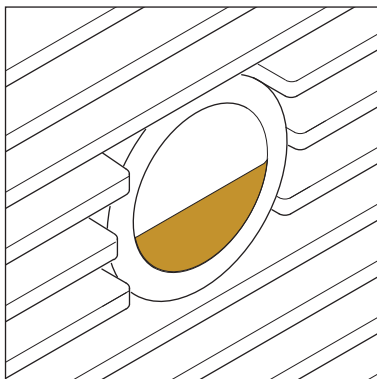
PL

CS

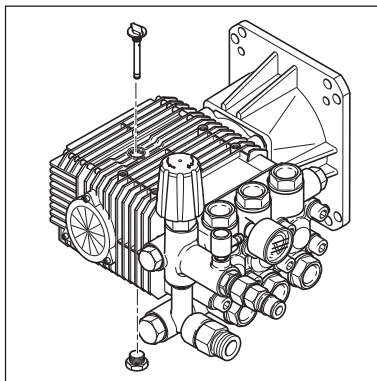
HU

SK

NL

6.2.3 Checking the oil level

1. Check whether the oil level is in the middle of the oil inspection glass. Top up with oil if necessary (see section 8.3 for type of oil).

6.2.4 Changing the pump/ gear oil

1. Before changing the oil, allow the pressure washer to become warm.
2. Unscrew the plugs at the top and the bottom of the pump.
3. Allow the oil to drain into a suitable container (min. 1 l capacity) and dispose of oil in compliance with regulations.
4. Mount plug at the bottom of the pump.
5. Fill pump with fresh oil (see 8.3 for oil type and quantity).
6. Check the oil level (see 6.2.3).

DA

EN

DE

FR

IT

ES

EL

PT

RU

PL

CS

HU

SK

NL

DA

7 Troubleshooting

EN

Fault	Cause	Remedy
Pressure drop	<ul style="list-style-type: none"> > Air in the system > High-pressure nozzle blocked/worn > Pressure control on the lance is not set correctly > Engine speed too low 	<ul style="list-style-type: none"> • Vent the system by operating the spray gun several times at short intervals. If necessary, dismount the lance (see section 4.2.2). • Clean/replace the high-pressure nozzle. • Set the required working pressure. • Contact Nilfisk-ALTO Service Department.
Pressure fluctuations	<ul style="list-style-type: none"> > Lack of water > Pump/accessories partially frozen > Water inlet hose is too long or its cross-section too small > Lack of water caused by blocked water filter 	<ul style="list-style-type: none"> • Open the tap. • Thaw machine and accessories. • Use prescribed size of water inlet hose. • Clean the water filter in the water connection (never operate the machine without water filter mounted!)
In suction mode	<ul style="list-style-type: none"> > Lack of water because max. permissible suction height has not been heeded > Water too hot > Pump draws in air (only possible in suction mode) 	<ul style="list-style-type: none"> • See chapter 4.2.2. • See chapter 4.2.2. • Check that the suction set is air-tight. Repeat aeration.
Excess pressure	<ul style="list-style-type: none"> > Engine's throttle control is defective (accessory) 	<ul style="list-style-type: none"> • Give less gas/contact Nilfisk-ALTO Service Department.
The motor does not start	<ul style="list-style-type: none"> > Low fuel level > Low oil level in engine > The pump is blocked or frozen 	<ul style="list-style-type: none"> • Open fuel cock/fill with fuel. • Fill with oil. • Thaw machine/contact Nilfisk-ALTO Service Department.

DE

FR

IT

ES

EL

PT

RU

PL

CS

HU

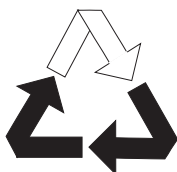
SK

NL

Fault	Cause	Remedy
The motor stops	> Low oil level in engine	• Fill with oil.
When a detergent injector is used	> Injector is dirty or suction hose is blocked	• Clean.
	> Detergent tank is empty	• Fill the detergent tank.
	> The lance is not set to low pressure	• Adjust the lance to low pressure.
	> Low fuel level	• Open fuel cock/fill with fuel.

8 Further information

8.1 Recycling the pressure washer



If the pressure washer is discarded, make it unusable immediately

1. Dismount the ignition plug.

The pressure washer contains valuable materials that should

be recycled. Contact your local waste disposal site. If you have any queries, please contact your local authorities or your nearest dealer.

8.2 Guarantee

Your Nilfisk-ALTO product is guaranteed for 12 months from date of purchase (purchase receipt must be presented) on the following conditions:

- that defects are attributable to flaws or defects in materials or workmanship. (Usual wear and tear as well as misuse are not covered by the guarantee).
- that repairs have not been carried out or attempted by other than Nilfisk-ALTO-trained service staff.
- that only original accessories have been applied.

- that the product has not been exposed to abuse such as knocks, bumps or frost.
- that the instructions in the manual have been carefully observed.

A warranty repair comprises the replacement of defective parts, but it does not cover freight and packaging charges. Besides we refer to national Sale of Goods Act.

Any **illegitimate** guarantee repair will be invoiced. (I.e. malfunctions due to **causes** mentioned in section “7 **Trouble shooting**” of the instruction manual).

DA

8.3 Technical data

		POSEIDON 2-31 PE	POSEIDON 3-36 PE	POSEIDON 5-47 PE	POSEIDON 5-53 PE	POSEIDON 5-67 PE	POSEIDON 5-54 DE
Working pressure	bar	140	140	190	200	230	195
Water flow (max)	l/h	700	840	900	1030	1150	1000
Water flow Q _{IEC}	l/h	650	750	840	930	1100	950
Max. water inlet temperature	°C	60	60	60	60	70	70
Min./max. water inlet pressure	bar	1/10	1/10	1/10	1/10	1/10	1
Dimensions (LxWxH)	mm	800 x 565 x 1010					
Noise power level, LWA	dB(A)	93	101	105	104	105	105
Thrust	N	24	26	45	46	58	45
Suction height (at max. 8°C)	m	1	1.5	0.5	0.5	1	1
Oil quantity in pump/gear	l	0.18	0.18	0.32	0.32	0.56/0.27	0.56/0.27
Oil quantity in motor	l	0.6	0.6	1.1	1.1	1.1	1.65
Oil type (motor/pump/gear)		SAE 15-40					
Vibrations		< 2,5 m/s ²					

EN

DE

FR

IT


ES

EL

We reserve the right to make alterations.

8.4 EC Declaration of Conformity

PT

CE		Declaration of Conformity	
Product:	High Pressure Washer		
Type:	POSEIDON 2-31 PE POSEIDON 3-36 PE POSEIDON 5-47 PE POSEIDON 5-53 PE POSEIDON 5-67 PE POSEIDON 5-54 DE		
Description:	250 bar / 20 MPa Petrol driven Diesel driven		
The design of the unit corresponds to the following pertinent regulations:	EC Machine Directive	2006/42/EC	
	EC EMC Directive	2004/108/EC	
Applied harmonised standards:	EN 2100-1, EN 12100-2 EN 60335-2-79 EN 55012		
Applied national standards and technical specifications:	DIN EN 60335-2-79		
Name and address of the person authorised to compile the technical file:	Anton Sørensen General Manager, Technical Operations EAPC Nilfisk-Advance A/S Sognevej 25 DK-2605 Brøndby		
Identity and signature of the person empowered to draw up the declaration on behalf of the manufacturer:	 Anton Sørensen General Manager, Technical Operations EAPC Nilfisk-Advance A/S Sognevej 25 DK-2605 Brøndby		
Place and date of the declaration	Hadsund, March 1, 2012		

RU

PL

CS

HU

SK

NL

Nilfisk ALTO

works for you

HEAD QUARTER

DENMARK

Nilfisk-Advance A/S
Sognevej 25
DK-2605 Brøndby
Tel.: (+45) 4323 8100
www.nilfisk-advance.com

SALES COMPANIES

ARGENTINA

Nilfisk-Advance srl.
Herrera 1855, 6 floor, Of. A-604
ZC 1293 – Ciudad Autónoma
de Buenos Aires – Argentina
www.nilfisk-alto.com

AUSTRALIA

Nilfisk-ALTO
Unit 1, 13 Bessemer Street Blacktown
NSW 2148 Australia
www.nilfisk-alto.com.au

AUSTRIA

Nilfisk-ALTO
Geschäftsbereich der Nilfisk-Advance GmbH
Metzgerstraße 68
A-5101 Bergheim/Salzburg
www.nilfisk-alto.at

BELGIUM

Nilfisk-Advance NV/SA
Riverside Business Park
Boulevard Internationaaleaan 55
Bâtiment C3/C4 Gebouw
Bruxelles 1070 Brussel
www.nilfisk.be

CHILE

Nilfisk-Advance S.A.
San Alfonso 1462, Santiago
www.nilfisk.com

CHINA

Nilfisk-Advance Cleaning Equipment
(Shanghai) Co Ltd.
No. 4189, Yindu Road
Xinzhuang Industrial Park
Shanghai, P.R.C, 201108
www.nilfisk.cn

CZECH REPUBLIC

Nilfisk-Advance s.r.o.
Do Certous 1
VGP Park Horní Pocernice, Budova H2
CZ-190 00 Praha 9
www.nilfisk.cz

DENMARK

Nilfisk-ALTO Danmark
Industrivej 1
Hadsund, DK-9560
www.nilfisk-alto.dk

FINLAND

Nilfisk-Advance OY Ab
Koskelontie 23E
Espoo, FI-02920
www.nilfisk.fi

FRANCE

Nilfisk-Advance SAS
Division ALTO
BP 246
91944 Courtaboeuf Cedex
www.alto-fr.com

GERMANY

Nilfisk-ALTO
Geschäftsbereich der Nilfisk-Advance AG
Guido-Oberdorfer-Straße 10
89287 Bellenberg
www.nilfisk-alto.de

GREECE

Nilfisk-Advance A.E.
8, Thoukididou Str.
Argiroupoli, Athens, GR-164 52
www.nilfisk.gr

HOLLAND

Nilfisk-Advance B.V.
Versterkerstraat 5
1322 AN ALMERE
www.nilfisk.nl

HONG KONG

Nilfisk-Advance Ltd.
2001 HK Worsted Mills Ind'l Bldg.
31-39 Wo Tong Tsui St.
Hong Kong, Kwai Chung, N.T.
www.nilfisk.com

HUNGARY

Nilfisk-Advance Kereskedelmi Kft.
H-2310 Szigetszentmiklós-Lakihegy
II. Rákóczi Ferenc út 10.
www.nilfisk.hu

INDIA

Nilfisk-Advance India Limited
Pramukh Plaza, 'B' Wing, 4th floor, Unit No. 403
Cardinal Gracious Road, Chakala
Andheri (East), Mumbai 400 099
www.nilfisk.com

IRELAND

Nilfisk-Advance
1 Stokes Place
St. Stephen's Green
Dublin 2
www.nilfisk-alto.ie

ITALY

Nilfisk-Advance S.p.A.
Strada Comunale Della Braglia, 18
Guardamiglio, Lombardia, I-26862
www.nilfisk.it

JAPAN

Nilfisk-Advance Inc.
1-6-6 Kita-Shinyokohama
Kouhoku-Ku
Yokohama 223-0059
www.nilfisk-advance.co.jp

KOREA

Nilfisk-Advance Korea
471-4, Kumwon B/D 2F,
Gunja-Dong, Gwangjin-Gu, Seoul
www.nilfisk-advance.kr

MALAYSIA

Nilfisk-Advance Sdn Bhd
SD 33, Jalan KIP 10
Taman Perindustrian KIP
Sri Damansara
52200 Kuala Lumpur
Malaysia
www.nilfisk.com

MEXICO

Nilfisk Advance de Mexico S. de R.L. de C.V.
Agustin M. Chavez 1, PB-004
Col. Centro Ciudad Santa Fe
C.P. 01210 México, D.F.
www.nilfisk-advance.com.mx

NEW ZEALAND

Nilfisk-Advance NZ Ltd
Danish House
6 Rockridge Avenue
Penrose Auckland NZ 1135
www.nilfisk.com.au

NORWAY

Nilfisk-Advance AS
Bjørnerudvejen 24
Oslo, N-1266
www.nilfisk-alto.no

POLAND

Nilfisk-Advance Sp. z o.o
Millenium Logistic Park
ul. 3-go Maja 8, Bud. B4
Pruszków, PL-05-800
www.nilfisk-alto.pl

PORTUGAL

Nilfisk-Advance, Lda.
Sintra Business Park
Zona Industrial Da Abrunheira
Edificio 1, 1o A
Sintra, P-2710-089
www.nilfisk.pt

RUSSIA

Nilfisk-Advance LLC
Vyatskaya str. 27, bld. 7, 1st floor
Moscow, 127015
www.nilfisk.ru

SINGAPORE

Nilfisk-Advance Pte Ltd
22 Tuas Avenue 2
Singapore 639453
www.nilfisk.com

SPAIN

Nilfisk-Advance, S.A.
Torre D'Ar
Passeig del Rengle, 5 Plta.10ª
Mataró, E-0830222
www.nilfisk.es

SWEDEN

Nilfisk-ALTO
Aminogatan 18
Möndal, S-431 53
www.nilfisk-alto.se

SWITZERLAND

NA Sondergger AG
Nilfisk-ALTO Generalvertretung
Mühlestrasse 10
CH-9100 Herisau
www.nilfisk-alto.ch

TAIWAN

Nilfisk-Advance Ltd.
Taiwan Branch (H.K.)
No. 5, Wan Fang Road, Taipei
www.nilfisk-advance.com.tw

THAILAND

Nilfisk-Advance Co. Ltd.
89 Soi Choekchai-Ruammitr
Viphavadee-Rangsit Road
Jomphol, Jatuchak
Bangkok 10900
www.nilfisk.com

TURKEY

Nilfisk-Advance A.S.
Serifali Mh. Bayraktar Bulv. Sehit Sk. No:7
Umraniye, Istanbul 34775
www.nilfisk.com.tr

UNITED KINGDOM

Nilfisk-ALTO
Bowerbank Way, Gilwilly Industrial Estate
Penrith, Cumbria
GB-CA11 9BQ
www.nilfisk-alto.co.uk

UNITED ARAB EMIRATES

Nilfisk-Advance Middle East Branch
SAIF-Zone, P. O. Box 122298
Sharjah
www.nilfisk.com

USA

Nilfisk-Advance
14600 21st Ave. North
Plymouth MN 55447-3408
www.nilfisk-alto.us

VIETNAM

Nilfisk-Advance Co., Ltd.
No.51 Doc Ngu Str. Lieu Giai Ward
Ba Dinh Dist. Hanoi
www.nilfisk.com

شريف صنعت پارسا

