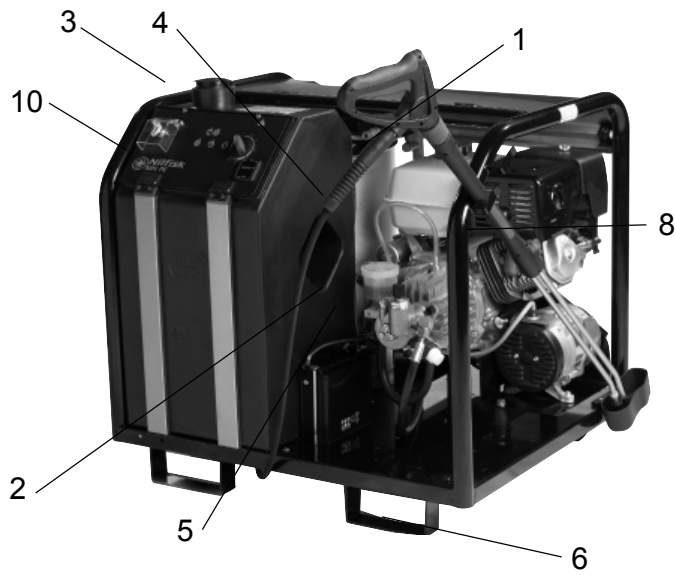


MH PE/DE - Instructions for use

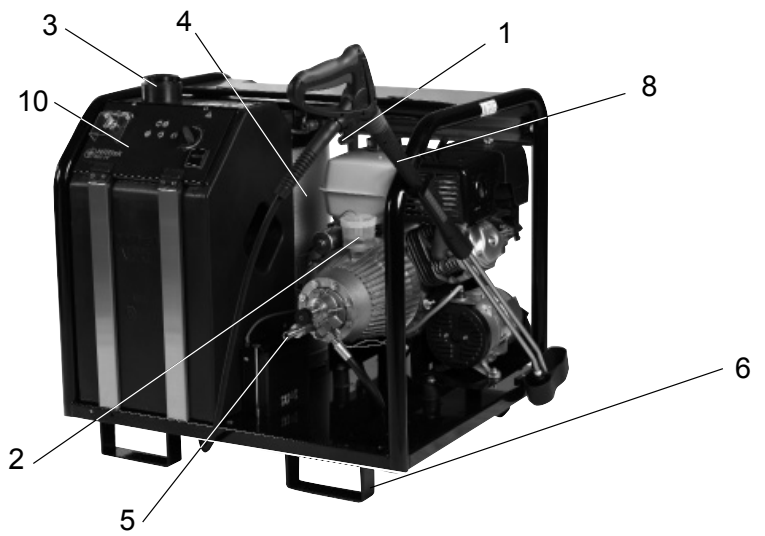


Ⓓ	Instruction manual	3 - 21
Ⓐ	Betriebsanleitung.....	22 - 40
Ⓕ	Manuel d'Instructions.....	41 - 59
Ⓘ	Gebruikershandleiding.....	60 - 78
Ⓔ	Manuale di istruzioni.....	79 - 97
Ⓝ	Bruksanvisning	98 - 116
Ⓒ	Bruksanvisning	117 - 135
Ⓓ	Brugsvejledning	136 - 154
Ⓐ	取扱説明書 取扱説明書.....	155 - 172

MH 5M-220/1000 PE



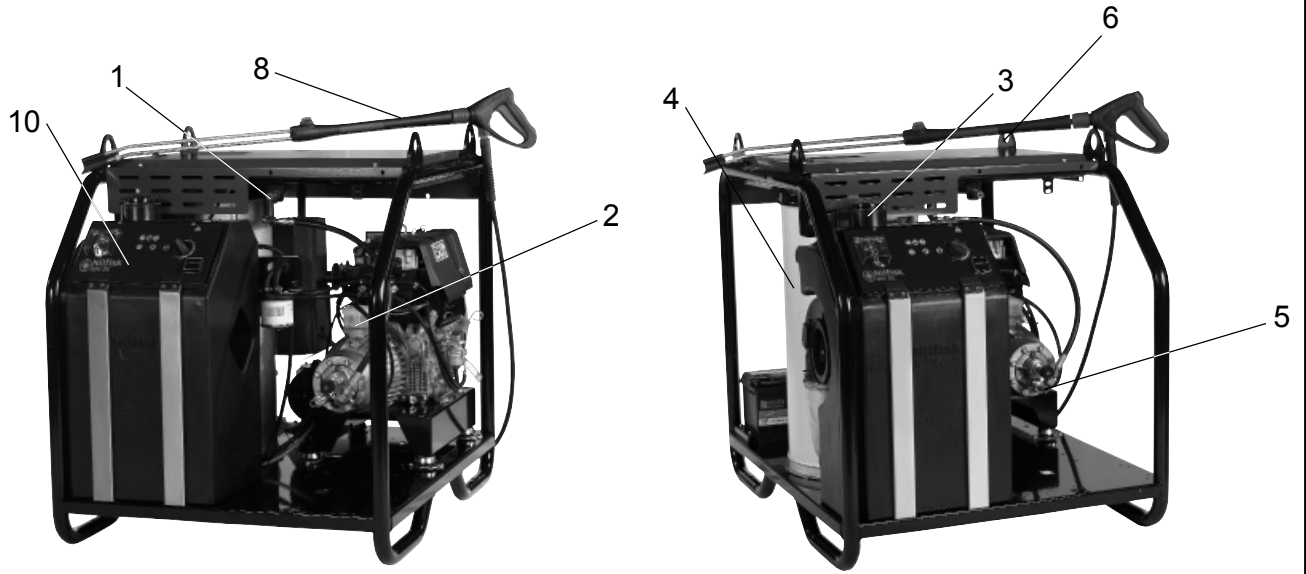
MH 7P-220/1120 PE



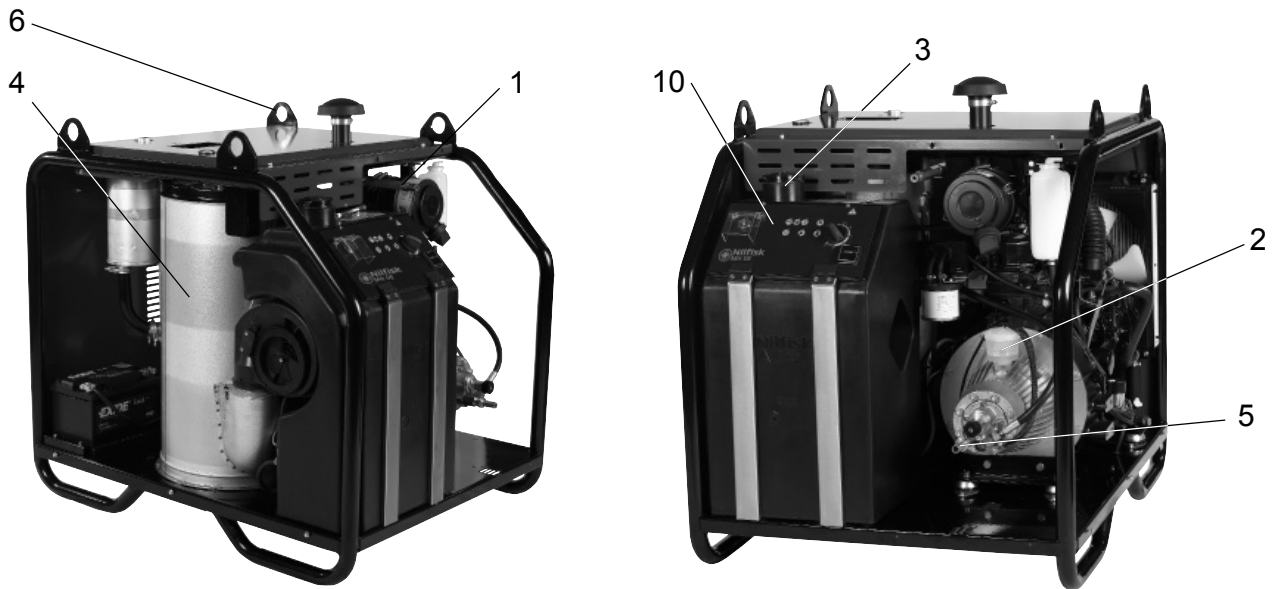
MH 5M-200/1000 DE



MH 7P-200/1200 DE



MH 7P-220/1300 DE



Contents

EN

DE

FR

NL

IT

NO

SV

DA

JA

1	Important safety instructions	4
2	Description	5
2.1	Purpose	5
2.2	Operating elements	5
3	Before starting the machine.....	6
3.1	Transport and assembly	6
3.2	Set the brake (only machines with wheels	6
3.3	Fill up fuel tank	6
3.4	Connecting the high pressure hose.....	7
3.5	Connecting the water supply	7
4	Control / Operation	8
4.1	Connections.....	8
4.2	Description of light indicators	8
4.3	Switching on the cleaner	9
4.4	Pressure regulation (Tornado Lance).....	9
4.5	Using cleaning agents	9
5	Applications and methods	10
5.1	Techniques	10
5.2	Some typical cleaning tasks	11
6	After using the cleaner	13
6.1	Switching off the cleaner	13
6.2	Storing / frost protection	13
7	Maintenance	14
7.1	Maintenance Schedule	14
7.2	Maintenance work	14
8	Troubleshooting	17
8.1	Indications on Display.....	17
8.2	Other faults	18
9	Further information.....	19
9.1	Recycling the machine	19
9.2	Warranty	19
9.3	Declaration of Conformity	20
9.4	Technical Specifications	21

EN

Symbols used to mark instructions

DE



Before using the high-pressure cleaner, be sure to also read the enclosed operating instructions and keep them within reach at all times.

FR

NL

IT

NO

SV

DA

JA



Safety instructions in these operating instructions which must be observed to prevent risks to persons are marked with this danger symbol.



This symbol is used to mark safety instructions that must be observed to prevent damage to the machine and its performance.

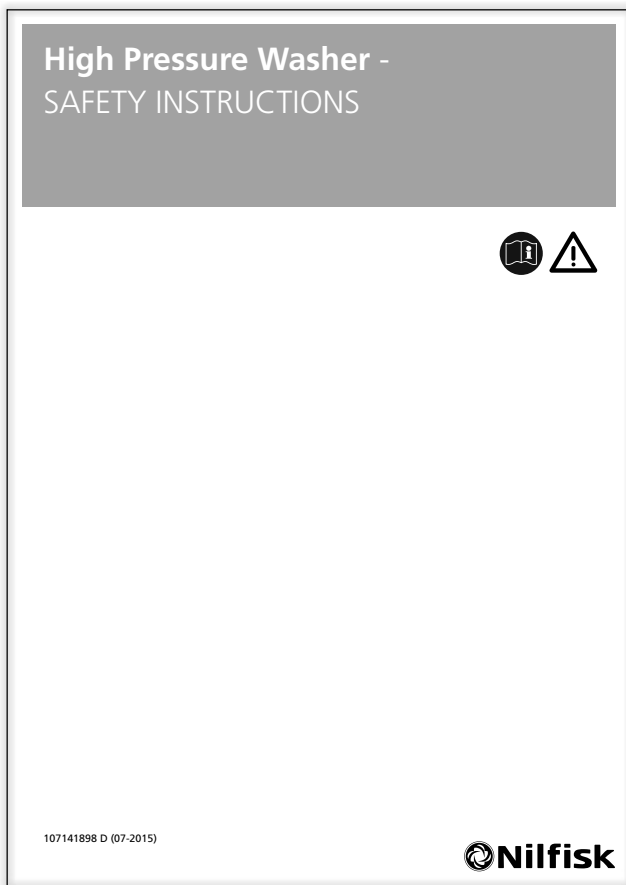


This indicates tips and instructions to simplify work and to ensure safe operation.



Operations marked with this symbol should only be carried out by Nilfisk Service Technicians.

1 Important safety instructions



2 Description

EN

DE

FR

NL

IT

NO

SV

DA

JA

2.1 Purpose

This high-pressure cleaner has been designed for professional use in

- Agriculture
- Industry
- Transport industry
- Automotive
- Municipal Facilities
- Janitorial
- Construction
- Food industry

etc.
Section 5 describes the use of the high-pressure cleaner for various cleaning jobs.

Always use the cleaner as described in these operating instructions. Any other use may damage the cleaner or the surface to be cleaned or may result in severe injury to persons.

⚠ WARNING! Do not use combustion engine powered machines indoors unless adequate ventilation is assessed by national labour authorities.

⚠ WARNING! Ensure, that any exhaust emissions are not in a vicinity of air intakes.

⚠ WARNING! Incorrect fuels shall not be used as they may prove hazardous.

2.2 Operating elements



See illustration at front of these operating instructions.

1. Water inlet and filter (quick-coupler for supply hose)
2. Pump oil level inspection and fill cup
3. Fuel filling cap
4. Burner coil
5. High pressure outlet (male quick-connector)
6. Frame lift points
7. Castor wheel with parking brake
8. Spray lance
9. Spray lance storage
10. Control panel

EN 3 Before starting the machine

DE

FR

NL

IT

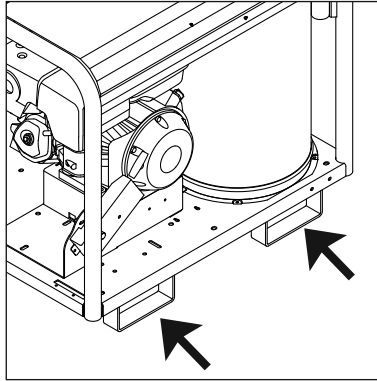
NO

SV

DA

JA

3.1 Transport and assembly



1. The safest way to lift the machine is to use a fork-lift truck. The arrows in the illustration indicate the best places to position the fork.

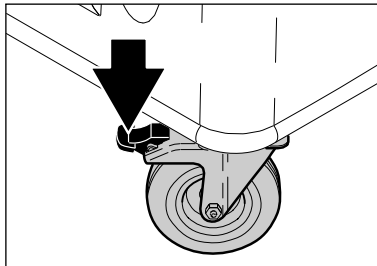
Every fuel-burning appliance, such as pressure washers, depends upon a proper mix of fuel and air (by weight) for proper combustion. Therefore some adjustment of the air supply to

the burner may be necessary to take account of altitude and the resulting air pressure. This is true whether your fuel is 'Natural gas', Propane or Diesel.

Your Nilfisk hot water pressure washer was thoroughly tested and adjusted for optimum performance before it left our factory. The factory is located at approximately 200m (650 ft) above sea level, and the combustion settings are optimal for that elevation.

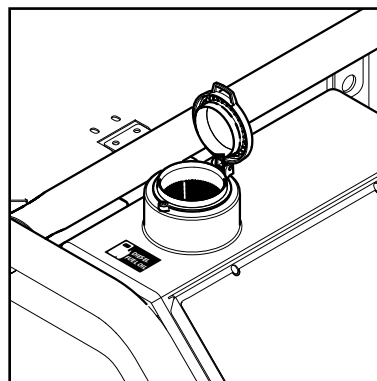
If your location is higher than 1200m (3900 ft) above sea level, your burner may require re-adjustment for proper performance and best fuel economy. Contact your Dealer or Nilfisk for assistance.

3.2 Set the brake (only machines with wheels)



1. Before using the cleaner for the first time, check it carefully for any faults or damage.
2. Run the machine only when it is in perfect working condition.
3. Set the brake.

3.3 Fill up fuel tank



With the machine cold and turned off:

1. Fill fuel tank from a clean container with a fresh fuel or Diesel EN 590 (Diesel with bio diesel content up to 7%). See chapter 1.

Tank capacity max. 57 l.

Use clean fuel only, free of moisture and contamination. Contact your dealer for fuel source and type recommendations.

Diesel according to EN 590 (up

to 7% bio diesel) can be used with the following restrictions: Maximum storage time in high pressure cleaner diesel tank: 1 month.

Diesel stored externally for more than 6 months is not allowed to be filled into Nilfisk high pressure cleaners.

Diesel EN 590 from an open container must not be used.

If the machine is to be operated at fuel stations or in other potentially hazardous areas, the machine may only be employed outside the hazard areas defined in the German „Technical Guidelines for Inflammable Fluids“ applicable at the point of use due to the potential explosion hazard posed by the burner.



NOTE!

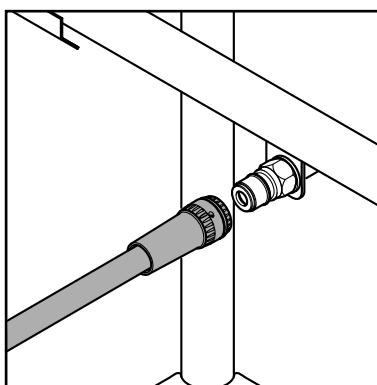
At temperatures below 8°C (46°F),

the fuel oil begins to solidify (paraffin precipitation). This can lead to difficulties in starting the burner. Before the winter months it is recommended that a fuel conditioner/stabilizer be added (available from the fuel oil trade).

Filling up the engine with fuel, see the enclosed instructions for the engine.

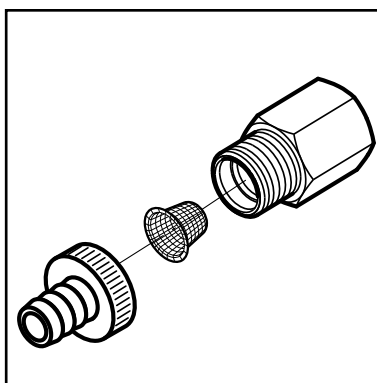


3.4 Connecting the high pressure hose



1. Connect the high pressure hose quick connector to the high pressure nipple.

3.5 Connecting the water supply



1. Attach hose coupling found with Owners Manual to the water supply hose.
2. Rinse the water supply hose briefly in order to prevent sand and other dirt particles entering into the machine.
3. Attach hose coupling to inlet.
4. Open water supply faucet.



NOTE!

See section 9.4 Technical Data for required quantity of water and water pressure. In the case of poor water quality (sand, etc.), it is recommended that an inlet water filter be installed.

Water supply hose should be a reinforced hose and have a minimum inside diameter of **3/4" (19 mm)**.

EN 4 Control / Operation

DE

FR

NL

IT

NO

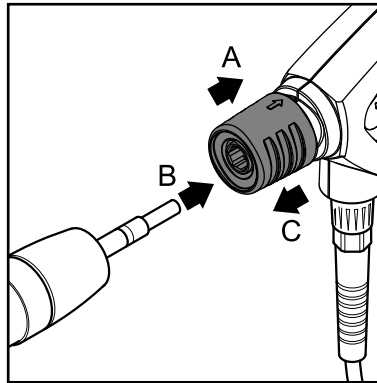
SV

DA

JA

4.1 Connections

4.1.1 Connecting the spray lance to the spray gun



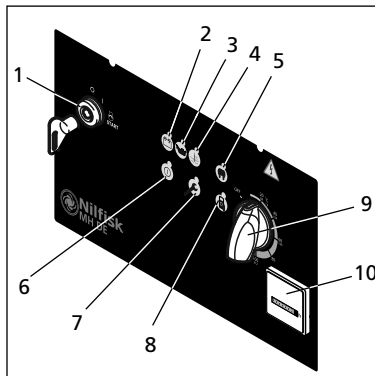
1. Pull the blue quick-release grip (A) of the spray gun backwards.
2. Insert the nipple of the spray lance (B) into the quick-release connection and release it.
3. Pull the spray lance (or other accessory) forwards to check that it is securely attached to the spray gun.



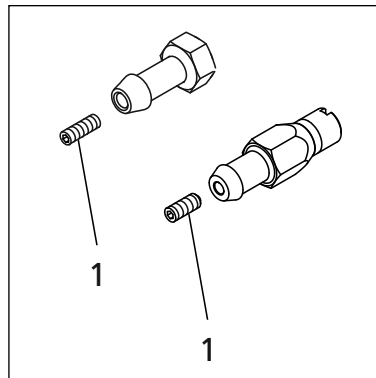
NOTE!

Always remove any dirt from the nipple before connecting the spray lance to the spray gun.

4.2 Description of light indicators



Not all machines feature all light indicators. Here is a description of the light indicators:



1. Start switch for engine
2. Battery charging indicator
3. Oil indicator.
4. Pump temperature.
Temperature of high pressure pump too high. Turns off the engine. **NOTE!** Not MH 5M-200/1000 DE. This machine has a valve opening when the temperature

gets too high.

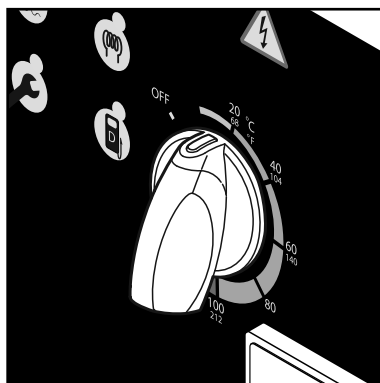
With MH 5M-200/1000 PE, MH 7P-220/1120 PE, MH 7P-200/1200 DE, MH 7P-220/1300 DE you have the opportunity to lead the bypass water back to a water tank if the suction operation is run from a water tank. Remove the screw (pos. 1) and attach the hose to the hose union. Lead the hose back to the water tank. This will prevent the temperature in the pump from getting too high.

5. Preheating indicator.
6. Working indicator for hot water.
7. Service indicator. Alight when service is required.
8. Fuel low. Alight when fuel filling is required.
9. Operation and temperature regulation.
10. Hour counter.



4.3 Switching on the cleaner

4.3.1 Cold water operation



Before starting up the engine, you must carefully read through the instructions for use of the engine. In the instructions for use the operation and service of the engine is described.

When the engine has been started, the high pressure washer can be used for cleaning with cold water.



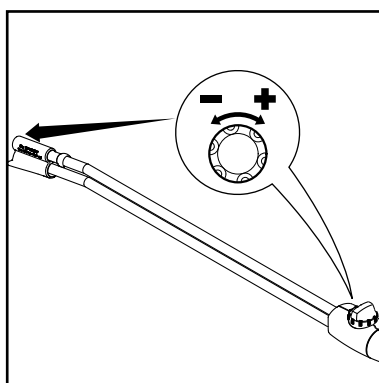
4.3.2 Hot water operation



1. Turn the switch to the required temperature. Now 6 lights up and the machine is ready for use. If you want to operate with a temperature above 100°C, turn the rotary knob (black) on the pump clockwise to limit stop.
2. Unlock the spray handle and squeeze the trigger.
3. The oil burner will start.
4. Release the trigger and lock the spray handle when not in use.



4.4 Pressure regulation (Tornado Lance)



1. Turn the twist grip on the spray unit:
 - High pressure = clockwise (+) for high pressure
 - Low pressure = counter-clockwise (–) for low pressure.

4.5 Using cleaning agents

If you want to use detergents, you will need an external injector. Please contact your local Nilfisk distributor for further information.

CAUTION!
Never allow cleaning agent to dry on the surface to be cleaned. The surface may be damaged.

EN 5 Applications and methods

DE

5.1 Techniques

FR

NL

IT

5.1.1 Soaking

NO

SV

DA

5.1.2 Detergent and Foam

JA

Efficient high pressure cleaning is achieved by following a few guidelines, combined with your own personal experience of specific cleaning tasks. Accessories and detergents, when correctly chosen, can increase the efficiency of your pressure washer. Here is some basic information about cleaning.

Encrusted or thick layers of dirt can be loosened or softened up by a period of soaking. This is for example an ideal method within agriculture – for example, within pig sties. The ideal soaking method can be achieved by using foam or simple alkaline detergent. Let the product lie on the dirty surfaces for about 30 minutes before pressure washing. The result will be a much quicker high pressure cleaning process.

Foam or detergent should be applied onto dry surfaces so that the chemical product is in direct contact with the dirt. Detergents are applied from bottom to top, for example on a automobile bodywork, in order to avoid “super clean” areas, where the detergent may collect in higher concentrations and streams downwards. Let the detergent work for several minutes before rinsing before rinsing and never let it dry on the surface being cleaned.

5.1.3 Temperature

Detergents are more effective at higher temperatures. Greases, oils and fats can be broken down more effectively at higher temperatures also. Proteins can be cleaned at temperatures of around 60°C (140°F). Oils and traffic film around 70°C (158°F), and grease can be cleaned at 80°-90°C (176-194°F).

5.1.4 Mechanical Effect

In order to break down tough layers of dirt, additional mechanical effect may be required. Special lances and rotary or wash brushes offer this supplementary effect that cuts through dirt.

5.1.5 High Water Flow or High Pressure

High pressure is not always the best solution and may also damage surfaces. The cleaning effect also depends upon water flow. Pressure levels of around 100 bar (1450 psi) may be sufficient for vehicle cleaning (in association with hot water) and higher flow levels give the ability to rinse and flush away large amounts of dirt easily.



5.2 Some typical cleaning tasks

5.2.1 Agriculture

Task	Accessories	Method
Stables Pig Pens, Sties Cleaning of walls, floors and equip- ment Disinfectant	Chemical Foam Injec- tors Foam lance Powerspeed lance Floor Cleaner Detergents Universal Alkafoam Disinfectant DES 3000	<ol style="list-style-type: none"> 1. Soaking – apply foam to all surfaces (bottom to top) and wait for approx. 30 minutes. 2. Remove the dirt from surfaces with the high pres- sure lance or chosen accessory. Again, clean from bottom to top on vertical surfaces. 3. To flush away large quantities of dirt, change to low pressure mode and use the higher flow to push away the dirt. 4. Use recommended disinfectant products and meth- ods to ensure hygiene. Apply DES 3000 disinfectant once the surfaces are perfectly clean.
Machinery Tractors ploughs etc.	Detergent injection Powerspeed lances Curved lances and underchassis washers Brushes	<ol style="list-style-type: none"> 1. Apply detergent to vehicle or equipment surfaces in order to soften up dirt and grime. Apply from bottom to top. 2. Proceed with cleaning using the high pressure lance. Clean again from bottom to top. Use acces- sories to clean in difficult to reach places. 3. Clean fragile areas such as motors, rubber at lower pressure levels to avoid damage.

5.2.2 Vehicle

Task	Accessories	Method
Vehicle bodywork	Standard lance Detergent injection Curved lances and underchassis washers brushes Detergents Active Shampoo Active Foam Sapphire Super Plus Aktive Wax Allosil RimTop	<ol style="list-style-type: none"> 1. Apply detergent to vehicle or equipment surfaces in order to soften up dirt and grime. Apply from bot- tom to top. In cases of particularly dirty vehicles, pre-spray with a product such as Allosil in order to remove traces of insects etc, then rinse at low pres- sure and apply normal car cleaning detergent. Let detergents settle for 5 minutes before cleaning off. Metallic surfaces can be cleaned using RimTop. 2. Proceed with cleaning using the high pressure lance. Clean again from bottom to top. Use ac- cessories to clean in difficult to reach places. Use brushes in order to add a mechanical cleaning ef- fect. Short lances can help for cleaning of motors and wheel arches. Curved lances or undercarriage washers can be valuable for the cleaning of car underchassis and wheel arches. 3. Clean fragile areas such as motors, rubber at lower pressure levels to avoid damage. 4. Apply a liquid wax using the pressure washer in order to protect the bodywork from pollution.

EN 5.2.3 Buildings and Equipment

DE

FR

NL

IT

NO

SV

DA

JA

Task	Accessories	Method
General surfaces Metallic equipment	Foam injectors Stand-ard lance Curved lances Tank cleaning head Detergents Intensive J25 Multi Combi Active Alkafoam Disinfectant DES 3000	<ol style="list-style-type: none"> 1. Apply thick foam over the surfaces to be cleaned. Apply on dry surfaces. Apply from top to bottom on vertical surfaces. Let the foam act for up to 30 minutes for the optimal effect. 2. Proceed with cleaning using the high pressure lance. Use applicable accessories. Use high pressure to dislodge large amounts of incrustated dirt or grime. Use lower pressure and high water volume in order to rapidly flush away loose dirt and rinse surfaces. 3. Apply DES 3000 disinfectant once the surfaces are perfectly clean. <p>Areas covered by amounts of loose dirt, such as animal remains in slaughterhouses, can be removed by using high water flow to flush away the dirt to evacuation pits or drains.</p> <p>Tank cleaning heads can be used to clean barrels, vats, mixing tanks etc. Cleaning heads may be hydraulically or electrically powered and give the possibility for automatic cleaning without a constant user.</p>
Rusted or damaged surfaces prior to treatment	Wet Sandblasting equipment	<ol style="list-style-type: none"> 1. Connect the sandblasting lance to the pressure washer and place the suction tube in the sand. 2. Always wear protective equipment during sandblasting. 3. Spray the surfaces to be treated with the mix of water and sand. Rust, paint etc will be stripped off.

These are merely several examples of cleaning tasks that can be solved by a pressure washer in association with accessories and detergents. Each cleaning task is different. Please consult your local dealer or Nilfisk representative in order to discuss the best solution for your own cleaning tasks.

6 After using the cleaner

EN

DE

FR

NL

IT

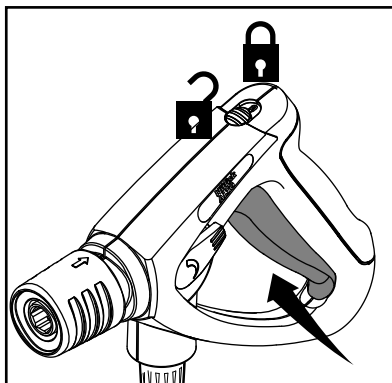
NO

SV

DA

JA

6.1 Switching off the cleaner



1. Close water tap
2. Activate spray handle without lance in order to empty all residual water in the system.
3. Turn the ON/OFF switch to position "OFF".
4. Turn off the engine.
5. Activate spray handle until the washer is depressurised.
6. Lock the safety catch on the spray handle.

6.2 Storing / frost protection

It is advisable to store the machine in a frost proof place between operations. If this is not possible the machine should be protected in the following way:

1. Disconnect the water inlet hose. Remove the lance and empty it of water.
2. Start the machine allowing it to run with the spray handle opened until it is empty of water.
3. Place a suction hose in a bucket with 6-8 l (1.5-2 gallons) anti-freeze.
4. Place the spray handle (without spray lance) above the bucket, activate the spray handle so that the anti-freeze can circulate.

5. Place the psray handle above the opening of the anti-freeze container and allow the machine to pump all of the solution back into the anti-freeze container. The anti-freeze can be re-used, but keep in mind that it is slightly diluted with water each time this is done.

Important:

To avoid damage always ensure that the washer, the hoses and the spray lance are unfrozen before restarting. Place the washer and the accessories in a warm environment for some time before starting up.



EN 7 Maintenance

DE

FR

NL

IT

NO

SV

DA

JA

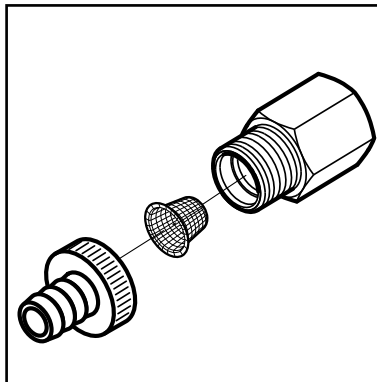
7.1 Maintenance Schedule

	Weekly	MH 5M-200/1000 DE only After the first 50 operating hours	Every six months or 500 operating hours	As required
7.2.1 Water filters				●
7.2.2 Oil filter				●
7.2.3 Checking the pump oil quality	●			
7.2.4 Changing the pump oil		●	●	
7.2.5 Emptying the fuel oil tank				●
7.2.6 Flame Sensor				●

Service on engine: See attached user instructions for engine.

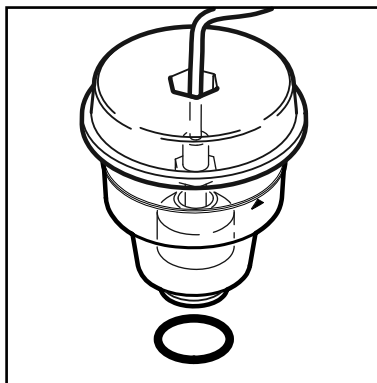
7.2 Maintenance work

7.2.1 Water filters



1. Unscrew quick coupling.
2. Remove filter with tool and clean it.

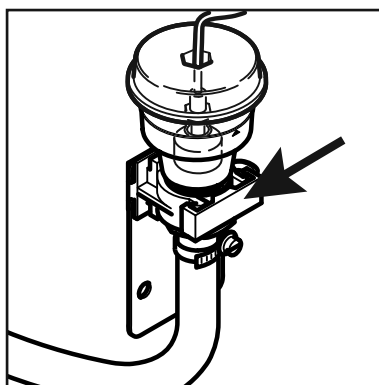
7.2.2 Checking the pump oil quality



1. Check color of pump oil.
If the oil has a grey or white shade, change the oil (see section 7.2.3)
2. Top off oil level with fresh oil if necessary.
Oil type see section 9.4 **Technical Specifications.**

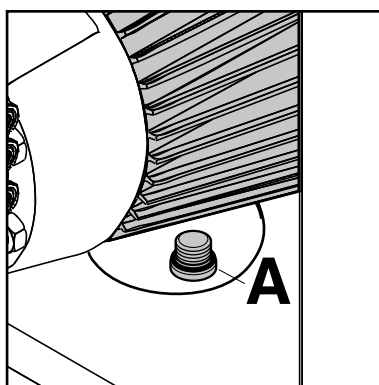


7.2.3 Change of oil



MH 5M:

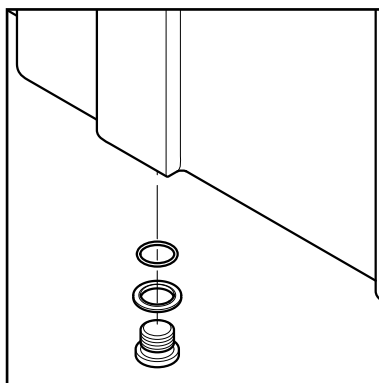
1. Loosen oil container by opening the clip. Hold the oil container into a container until all oil has run out of the pump.
2. Remount oil container and top up with new oil. It may take some time for the oil level to equalize in the pump and the oil container.



MH 7P:

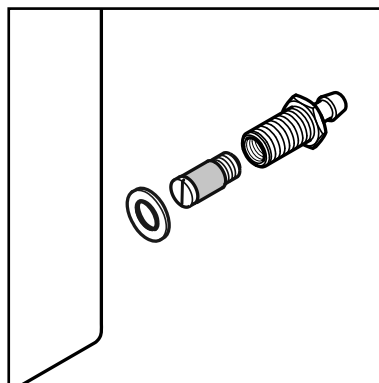
1. Unscrew the oil drain plug (A) and drain oil into a suitable container.
2. Check that the drain plug gasket is in place and reinstall drain plug.
3. Fill pump with proper grade and amount of oil.
Oil grade and capacity see section '9.4 Technical Specifications'.

7.2.4 Emptying the fuel oil tank



1. Prepare a container which is capable of containing the amount of fuel remaining in the tank.
2. Place the container beneath the drain plug.
3. Remove the drain plug and drain the fuel into the prepared container carefully not to spill fuel oil.
4. Check that the drain plug gasket is in place and reinstall drain plug.
5. Check tank and plug for leaks.

7.2.5 Cleaning of fuel filter



On the back of the fuel tank where the hoses are mounted, there is a filter.

To clean this or these filters (depending on model), dismount the hose and unscrew the hose nipple.

EN

DE

FR

NL

IT

NO

SV

DA

JA

EN 7.2.6 Flame sensor

DE

FR

NL

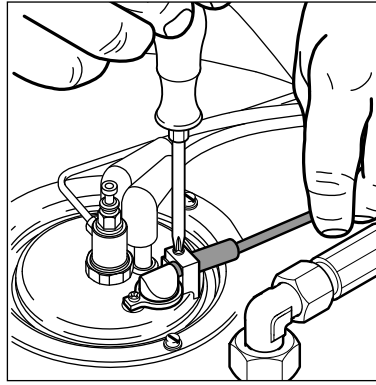
IT

NO

SV

DA

JA



1. Remove the sensor and clean with a soft cloth.
2. Confirm that the sensor is correctly seated when re-installing.



8 Troubleshooting

EN

DE

FR

NL

IT



















NO

SV




DA

JA

8.1 Indications on Display

Indication light	Cause	Remedy
Green LED  ON	> Appliance ready for operation. When switching on, all the LEDs light up once.	
Yellow LED  ON	> Fuel shortage	<ul style="list-style-type: none"> • Top up with fuel • Cold water operation possible
Red LED  flashing	> Service interval: Service due in 20 hours	 Contact Nilfisk Service
Red LED  ON	> Service interval expired	 Contact Nilfisk Service
Red LED  ON	> Pump oil low > Engine oil low	<ul style="list-style-type: none"> • Top up with pump oil • Top up with engine oil
Green LED  flashing	> Flow sensor failure > Water tap closed or water shortage > Machine scaled	 Contact Nilfisk Service Cold water operation possible <ul style="list-style-type: none"> • Required volume flow and pressure see section 9.4 Technical Specifications  Contact Nilfisk Service
Green LED  and red LED  flash simultaneously	> Leakage or inadmissible operating condition by short-time operation > Spray handle leaking > High pressure hose, coupling or line system leaking > Water inlet filter dirty > High-pressure pump drawing in air	<ul style="list-style-type: none"> • After three times of short-time operation the heating switches off. Reset: Turn main switch to position "OFF", then start again. Keep spray gun pressed for longer than 3 seconds. If a leak occurs causing the machine to start and stop briefly 3 times, then the heating will switch off. • Check spray handle • Replace high-pressure hose, retighten screw fittings • Clean filter (see section 7.2.1) • Repair leaks • Cold water operation possible
Red LED  ON	> Charging rate too low	<ul style="list-style-type: none"> • Engine has not started • Generator defective  Contact Nilfisk Service
Red LED  ON	> Pump overheated	<ul style="list-style-type: none"> • Let pump cool down, avoid long by-pass time (MH 5M-220/1000 PE, see section 4.2)
	> Engine cooling water overheated (Mitsubishi)	<ul style="list-style-type: none"> • Check water level in radiator
Green LED  and red LED  flash alternately	> Overheating failure	 Contact Nilfisk Service. Operation with cold water possible.

EN

Indication light	Cause	Remedy
Green LED  flashes slowly and red LED  flashes rapidly	<ul style="list-style-type: none"> > Flame sensor sooted > Ignition or fuel system failure 	<ul style="list-style-type: none"> • Clean flame sensor (see section 7.2.6).  Contact Nilfisk Service Cold water operation possible

DE

FR

NL

8.2 Other faults





IT

NO

SV

DA

JA

Fault	Cause	Remedy
 not ON	<ul style="list-style-type: none"> > Engine not started > Engine RPM too low > Generator defective 	<ul style="list-style-type: none"> • Start engine.  Contact Nilfisk Service. MH 5M-200/1000 DE: Adjust RPM on the speed control to max.  Contact Nilfisk Service. Cold water operation possible.
Pressure too low	<ul style="list-style-type: none"> > High pressure nozzle worn out > Pressure regulation set to low water volume 	<ul style="list-style-type: none"> • Replace nozzle • Turn the twist grip on the spray lance to a higher water volume.
Burner soots	<ul style="list-style-type: none"> > Fuel contamination > Burner sooted or adjustment incorrect 	<ul style="list-style-type: none">  Contact Nilfisk Service

9 Further information

EN

DE

FR

NL

IT

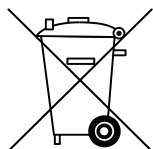
NO

SV

DA

JA

9.1 Recycling the machine



Make the old cleaner unusable immediately.

1. Unplug the cleaner and cut the power cord.

The pressure washer contains

valuable materials that should be recycled.

Contact your local waste disposal site. If you have any queries, please contact your local authorities or your nearest dealer.

9.2 Warranty

Your Nilfisk product is guaranteed for 12 months from date of purchase (purchase receipt must be presented) on the following conditions:

- that defects are attributable to flaws or defects in materials or workmanship. (Usual wear and tear as well as misuse are not covered by the guarantee).
- that repairs have not been carried out or attempted by other than Nilfisk-trained service staff.
- that only original accessories have been applied.
- that the product has not been

exposed to abuse such as knocks, bumps or frost.

- that the instructions in the manual have been carefully observed.

A warranty repair comprises the replacement of defective parts, but it does not cover freight and packaging charges. Besides we refer to national Sale of Goods Act.

Any **illegitimate** guarantee repair will be invoiced. (I.e. malfunctions due to **causes mentioned in section "7 Trouble shooting"** of the instruction manual).

EN 9.3 Declaration of Conformity

We,

DE

Nilfisk A/S
Kornmarksvej 1
DK-2605 Broendby
DENMARK

FR

NL

Hereby solely declare, that the product:

IT

NO

Product	Description	Type
HPW - Professional - Mobil	Petrol - diesel driven	MH 5M ** PE, DE MH 7P ** PE, DE

SV

DA

JA

Is in compliance with the following standards:

Id and Version	Title
EN 60335-1:2012+A11:2014	Household and similar electrical appliances - Safety - Part 1: General requirements
EN 60335-2-79:2012	Household and similar electrical appliances - Safety - Part 2-79: Particular requirements for high pressure cleaners and steam cleaners
EN 55012:2007+A1:2009	Vehicles, boats and internal combustion engines - Radio disturbance characteristics - Limits and methods of measurement for the protection of off-board receivers
EN 50581:2012	Technical documentation for the assessment of electrical and electronic products with respect to restriction of hazardous substances

Following the provisions of:

Machinery Directive 2006/42/EC
EMC Directive 2004/108/EC
RoHS Directive 2011/65/EC
Noise Emission Directive 2000/14/EC – Conformity assessment procedure according to Annex V.

- Measured noise level: 84-97 dB(A)
- Guaranteed noise level: 99-112 dB(A)

Hadsund 2015-10-13 Anton Soerensen
Senior Vice President – Global R&D



Place	Date	Name, Title	Signature
-------	------	-------------	-----------

9.4 Technical Specifications



		MH 5M-220/1000 PE	MH 7P-220/1120 PE	MH 5M-200/1000 DE	MH 7P-200/1200 DE	MH 7P-220/1300 DE
Item no.		106239515	106239530	106239610	106239630	106239635
Pump pressure	bar	220	220	200	200	220
mQuic	l/h	900	1010	900	1150	1200
Qmax	l/h	1000	1120	1000	1200	1300
Nozzle		0450	0500	0450	0640	0640
Suction capacity dry	m	1.5	5.0	1.5	1.5	5.0
Max. water inlet temperature	°C	40	40	40	40	40
Water inlet pressure min/max	bar	1/10	1/10	1/10	1/10	1/10
Pump type		NA5	C3	NP5	C3	C3
Motor manufacturer		Honda GX390	Honda GX390	Yanmar	Ruggerini	Mitsubishi
Oil quantity	l	0.5	1.1	0.7	1.1	1.1
Pump oil type		2 ⁾	3 ⁾	1 ⁾	3 ⁾	3 ⁾
Fuel type motor		Petrol	Petrol	Diesel	Diesel	Diesel
Fuel tank motor	l	6.1	6.1	5.5	*	*
Motor oil SAE 15W 40, capacity	l	1.1	1.1	1.65	1.8	4.2
Boiler	kW	81	87	81	108	108
Delta temp.	°C	80	70	80	82	79
Fuel consumption dt. 45°		3.9	4.6	3.9	5.0	5.2
Onboard diesel fuel tank	l	57	57	57	57	57
Sound power level Lwa/LpA	dB(A)	105/91	105/91	110/95	112/97	99/84
Vibration level at spray handle	m/s ²	< 2.5	< 2.5	< 2.5	< 2.5	< 2.5
Dimensions l x w x h	mm	970 x 780 x 1000		970 x 780 x 1000	1100 x 910 x 1050	
Weight	kg	208	210	220	315	510

* Same as for boiler (57 l)

1⁾ SAE 15W 40

2⁾ BP Energol GR-XP 220

3⁾ Castrol Alphasyne - T ISO 150



HEAD QUARTER

DENMARK

Nilfisk A/S
Kornmarksvej 1
DK-2605 Brøndby
Tel.: (+45) 4323 8100
www.nilfisk.com

SALES COMPANIES

ARGENTINA

Nilfisk srl.
Edificio Central Park
Herrera 1855, 6th floor/604
Ciudad de Buenos Aires
Tel.: (+54) 11 6091 1571
www.nilfisk.com.ar

AUSTRALIA

Nilfisk Pty Ltd
Unit 1/13 Bessemer Street
Blacktown NSW 2148
Tel.: (+61) 2 98348100
www.nilfisk.com.au

AUSTRIA

Nilfisk GmbH
Metzgerstrasse 68
5101 Bergheim bei Salzburg
Tel.: (+43) 662 456 400 90
www.nilfisk.at

BELGIUM

Nilfisk n.v.s.a.
Riverside Business Park
Boulevard Internationalelaan 55
Bâtiment C3/C4 Gebouw
Bruxelles 1070
Tel.: (+32) 14 67 60 50
www.nilfisk.be

BRAZIL

Nilfisk do Brasil
Av. Eng. Luis Carlos Berrini, 550
40 Andar, Sala 03
SP - 04571-000 Sao Paulo
Tel.: (+11) 3959-0300 / 3945-4744
www.nilfisk.com.br

CANADA

Nilfisk Canada Company
240 Superior Boulevard
Mississauga, Ontario L5T 2L2
Tel.: (+1) 800-668-8400
www.nilfisk.ca

CHILE

Nilfisk S.A. (Comercial KCS Ltda)
Salar de Llamara 822
8320000 Santiago
Tel.: (+56) 2684 5000
www.nilfisk.cl

CHINA

Nilfisk
4189 Yindu Road
Xinzhuan Industrial Park
201108 Shanghai
Tel.: (+86) 21 3323 2000
www.nilfisk.cn

CZECH REPUBLIC

Nilfisk s.r.o.
VGP Park Horní Počernice
Do Čertous 1/2658
193 00 Praha 9
Tel.: (+420) 244 090 912
www.nilfisk.cz

DENMARK

Nilfisk Danmark A/S
Industrivej 1
Hadsund, DK-9560
Tel.: 72 18 21 20
www.nilfisk.dk

FINLAND

Nilfisk Oy Ab
Koskelontie 23 E
02920 Espoo
Tel.: (+358) 207 890 600
www.nilfisk.fi

FRANCE

Nilfisk SAS
26 Avenue de la Baltique
Villebon sur Yvette
91978 Courtabouef Cedex
Tel.: (+33) 169 59 87 00
www.nilfisk.fr

GERMANY

Nilfisk GmbH
Guido-Oberdorfer-Straße 2-10
89287 Bellenberg
Tel.: (+49) (0)7306/72-444
www.nilfisk.de

GREECE

Nilfisk A.E.
Αναπαύσεως 29
Κορωπί T.K. 194 00
Tel.: (30) 210 9119 600
www.nilfisk.gr

HOLLAND

Nilfisk B.V.
Versterkerstraat 5
1322 AN Almere
Tel.: (+31) 036 5460760
www.nilfisk.nl

HONG KONG

Nilfisk Ltd.
2001 HK Worsted Mills
Industrial Building
31-39, Wo Tong Tsui St.
Kwai Chung, N.T.
Tel.: (+852) 2427 5951
www.nilfisk.com

HUNGARY

Nilfisk Kft.
II. Rákóczi Ferenc út 10
2310 Szigetszentmiklós-Lakihegy
Tel.: (+36) 24 475 550
www.nilfisk.hu

INDIA

Nilfisk India Limited
Pramukh Plaza, 'B' Wing, 4th floor, Unit
No. 403
Cardinal Gracious Road, Chakala
Andheri (East) Mumbai 400 099
Tel.: (+91) 22 6118 8188
www.nilfisk.in

IRELAND

Nilfisk
1 Stokes Place
St. Stephen's Green
Dublin 2
Tel.: (+35) 3 12 94 38 38
www.nilfisk.ie

ITALY

Nilfisk SpA
Strada Comunale della Braglia, 18
26862 Guardamiglio (LO)
Tel.: (+39) (0) 377 414021
www.nilfisk.it

JAPAN

Nilfisk Inc.
1-6-6 Kita-shinyokohama, Kouhoku-ku
Yokohama, 223-0059
Tel.: (+81) 45548 2571
www.nilfisk.com

MALAYSIA

Nilfisk Sdn Bhd
Sd 33, Jalan KIP 10
Taman Perindustrian KIP
Sri Damansara
52200 Kuala Lumpur
Tel.: (60) 3603 627 43 120
www.nilfisk.com

MEXICO

Nilfisk de Mexico, S. de R.L. de C.V.
Pirineos #515 Int.
60-70 Microparque
Industrial WSantiago
76120 Queretaro
Tel.: (+52) (442) 427 77 00
www.nilfisk.com

NEW ZEALAND

Nilfisk Limited
Danish House
6 Rockridge Avenue
Penrose, Auckland 1061
Tel.: (+64) 9526 3890
www.nilfisk.com.au

NORWAY

Nilfisk AS
Bjørnerudveien 24
1266 Oslo
Tel.: (+47) 22 75 17 80
www.nilfisk.no

PERU

Nilfisk S.A.C.
Calle Boulevard 162, Of. 703, Lima 33-
Perú
Lima
Tel.: (511) 435-6840
www.nilfisk.com

POLAND

Nilfisk Sp. Z.O.O.
Millenium Logistic Park
ul. 3 Maja 8, Bud. B4
05-800 Pruszków
Tel.: (+48) 22 738 3750
www.nilfisk.pl

PORTUGAL

Nilfisk Lda.
Sintra Business Park
Zona Industrial Da Abrunheira
Edifício 1, 1º A
P2710-089 Sintra
Tel.: (+351) 21 911 2670
www.nilfisk.pt

RUSSIA

Nilfisk LLC
Vyatskaya str. 27, bld. 7/1st
127015 Moscow
Tel.: (+7) 495 783 9602
www.nilfisk.ru

SINGAPORE

Den-Sin
22 Tuas Avenue 2
639453 Singapore
Tel.: (+65) 6268 1006
www.densin.com

SLOVAKIA

Nilfisk s.r.o.
Bancikovej 1/A
SK-821 03 Bratislava
Tel.: (+421) 910 222 928
www.nilfisk.sk

SOUTH AFRICA

WAP South Africa
12 Newton Street
Spartan 1630
Tel.: (+27) 11 975 7060
www.wap.com.za

SOUTH KOREA

Nilfisk Korea
3F Duksoo B/D, 317-15
Sungsoo-Dong 2Ga
Sungdong-Gu, Seoul
Tel.: (+82) 2497 8636
www.nilfisk.co.kr

SPAIN

Nilfisk S.A.
Torre d'Ara,
Passeig del Rengle, 5 Plta. 10ª
08302 Mataró
Tel.: (34) 93 741 2400
www.nilfisk.es

SWEDEN

Nilfisk AB
Taljegårdsgatan 4
431 53 Mölndal
Tel.: (+46) 31 706 73 00
www.nilfisk.se

SWITZERLAND

Nilfisk AG
Ringstrasse 19
Kircheberg/Industri Stelz
9500 Wil
Tel.: (+41) 71 92 38 444
www.nilfisk.ch

TAIWAN

Nilfisk Ltd
Taiwan Branch (H.K)
No. 5, Wan Fang Road
Taipei
Tel.: (+88) 6227 00 22 68
www.nilfisk.tw

THAILAND

Nilfisk Co. Ltd.
89 Soi Chokechai-Ruammitr
Viphavadee-Rangsit Road
Ladyao, Jatuchak, Bangkok 10900
Tel.: (+66) 2275 5630
www.nilfisk.co.th

TURKEY

Nilfisk A.S.
Serifali Mh. Bayraktar Bulv. Sehit Sk. No:7
Ümraniye, 34775 Istanbul
Tel.: +90 216 466 94 94
www.nilfisk.com.tr

UNITED ARAB EMIRATES

Nilfisk Middle East Branch
SAIF-Zone
P.O. Box 122298
Sharjah
Tel.: (+971) (0) 655-78813
www.nilfisk.com

UNITED KINGDOM

Nilfisk Ltd.
Nilfisk House, Bowerbank Way
Gilwilly Industrial Estate, Penrith
Cumbria CA11 9BQ
Tel.: (+44) (0) 1768 868995
www.nilfisk.co.uk

UNITED STATES

Nilfisk Inc.
14600 21st Avenue North
Plymouth, MN-55447
Tel.: (+1) 800-989-2235
www.nilfisk.com

VIETNAM

Nilfisk Vietnam
No. 51 Doc Ngu Str.
P. Vinh Phúc, Q.Ba Dinh
Hanoi
Tel.: (+84) 761 5642
www.nilfisk.com